

## MA270 (cn) 操作说明

MC4 / MC4-Evo 2 开口扳手套件  
PV-MS-PLS

## MA270 (en) Assembly instructions

MC4/MC4-Evo 2 Open-end spanner set  
PV-MS-PLS

### 目录

安全须知.....	2
MC4 开口扳手.....	3
MC4-Evo 2 开口扳手.....	3
拧紧螺帽.....	4
解锁.....	5

### Content

Safety instructions .....	2
Open-end spanner MC4.....	3
Open-end spanner MC4-Evo 2.....	3
Screwing the cap nut.....	4
Unlocking the connection .....	5

MC4 / MC4-Evo 2 开口扳手套件  
Open-end spanner set MC4/MC4-Evo 2  
PV-MS-PLS  
订货号/Order No. 32.6058



## 安全须知

### 操作说明的重要性

不遵守操作说明和安全须知可能会因触电、电弧、火灾或系统故障而导致危及生命的伤害。

- 请完全按照操作说明的要求进行操作。
- 只能按照本操作说明和技术参数使用产品。
- 安全妥善地保管安装说明, 并将其移交给后续用户。

### 应用范围

此手动工具用于实现史陶比尔光伏连接器与电缆之间的可靠压接。只有在电缆处于断电状态时才能进行压接作业。手动工具不适用于带电作业 (IEC 60900)。

### 对人员的要求

仅电工或接受过电气指导的人员可以装配、安装和调试该系统。

- 电工是指接受过适当的专业培训, 并具有适当的知识和经验的人员, 能够识别和避免可能来自电力的危险。电工能够选择和使用合适的个人防护设备。
- 受过电气指导人员是指在电工的指导或监督下, 能够识别和避免可能来自电力的危险的人员。

## Safety instructions

### Importance of the instruction manual

NOT following the instruction manual and safety instructions could result in life-threatening injuries due to electric shock, electric arcs, fire, or failure of the system.

- Follow the entire instruction manual.
- Use the product only according to this instruction manual and the technical data.
- Safely store the instruction manual and pass them on to subsequent users.

### Intended use

The present hand tools are in place to deliver crimp excellence for Stäubli PV connectors with cables. Crimpings shall be carried out only in de-energized state of the cables. The hand tool is NOT suitable for Live working (IEC 60900).

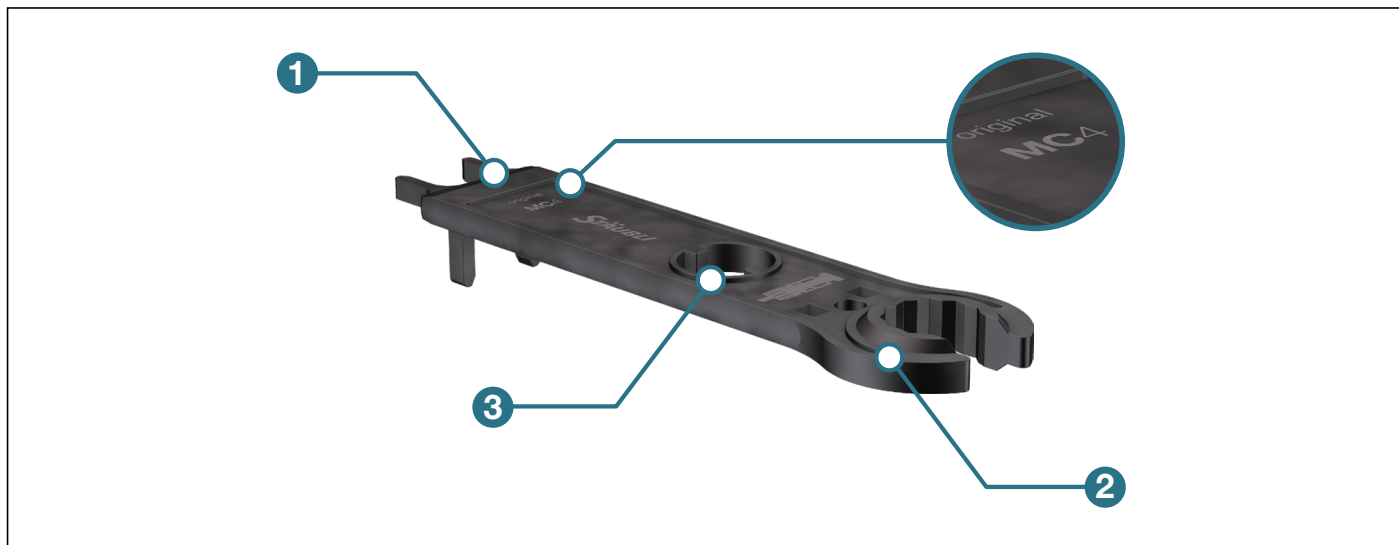
### Requirements for personnel

Only an electrician or electrically instructed person may assemble, install, and commission the system.

- An electrician is a person with appropriate professional training, knowledge, and experience to identify and avoid the dangers that may originate from electricity. An electrician is able to choose and use suitable personal protective equipment.
- An electrically instructed person is a person who is instructed or supervised by an electrician and can identify and avoid the dangers that may originate from electricity.

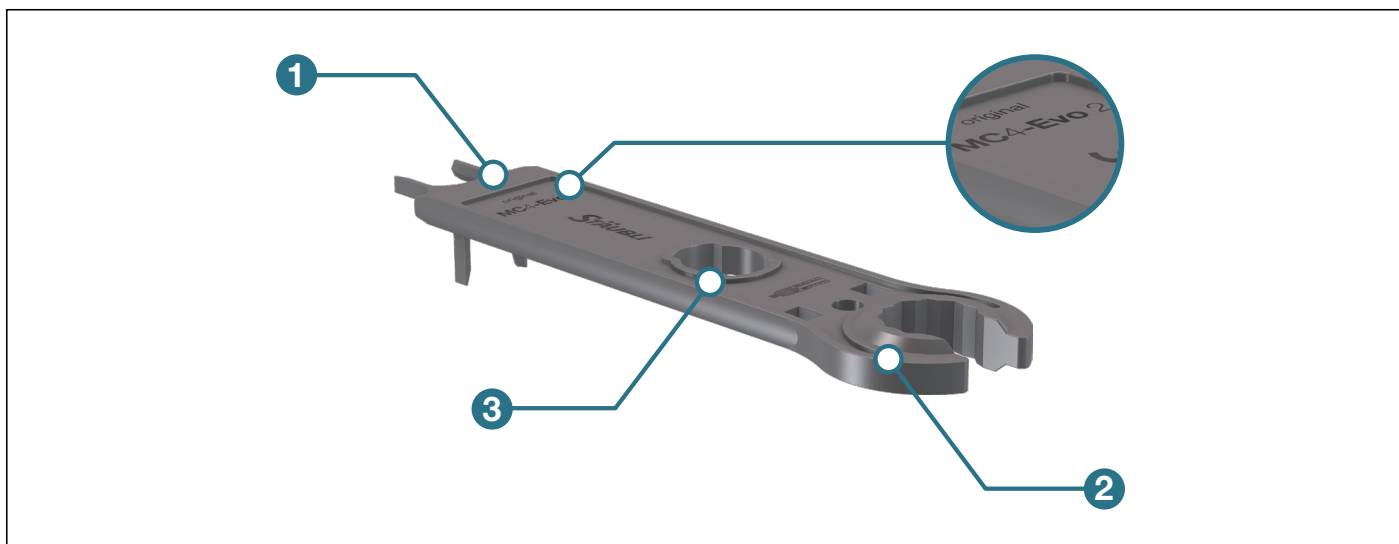
产品概述

Product overview



MC4 开口扳手

Open-end spanner MC4



MC4-Evo 2 开口扳手

Open-end spanner MC4-Evo 2

- 1 解锁销
- 2 开口扳手
- 3 固定装置

- 1 Unlocking pins
- 2 Open-end spanner
- 3 Holding device for countering

扭矩扳手可拧紧或拧松 MC4、MC4-Evo 2、MC4-Evo stor、MC4-Evo 2000 和 TwinBox 产品系列的连接件。必须根据产品系列选择扳手。

The open-end spanners screw and unlock the connections of the MC4, MC4-Evo 2, MC4-Evo stor, MC4-Evo 2000 und TwinBox product families. The open-end spanner must be selected depending on the product family.

**i** 拧紧螺帽时, 另一个开口扳手用于固定连接器。

**i** For screwing, the other open-end spanner is used for countering.

### 螺帽安装

- 选择开口扳手,用于固定连接器绝缘外壳。

连接器	用于固定的扳手型号
MC4	MC4-Evo 2 开口扳手
MC4-Evo 2	MC4 开口扳手
MC4-Evo stor	
MC4-Evo 2000	

- 用合适的开口扳手固定连接器绝缘外壳。
- 用另一把开口扳手拧紧螺帽。

**i 备注:**  
使用扭矩工具组将其旋至合适的扭矩。

### Screwing the cap nut

- Select the open-end spanner for fixing the connector housing.

Connector	fix with
MC4 connector	MC4-Evo 2 open-end spanner
MC4-Evo 2 connector	MC4 open-end spanner
MC4-Evo stor connector	
MC4-Evo 2000 connector	

- Secure the connector housing with the appropriate open-end spanner.
- Tighten the cap nut using the other open-end spanner.

**i Note:**  
Use the torque tool set to achieve the appropriate torque.



## 解锁方式

- 选择开口扳手。

连接器	带有
C4	MC4 开口扳手
TwinBox 接线盒	
MC4-Evo 2	MC4-Evo 2 开口扳手
MC4-Evo stor	



- 将开口扳手的解锁销推入插座的卡夹。
- 断开连接。



### 带桥连接器:

- 将开口扳手MC4的解锁销推入PV-SSH4。
- 断开连接。

## Unlocking the connection

- Select the open-end spanner.

Connector	fix with
MC4 connector	MC4 open-end spanner
TwinBox junction box	
MC4-Evo 2 connector	MC4-Evo 2 open-end spanner
MC4-Evo Stor Connector	

- Push the unlocking pins of the open-end spanner onto the locking clips of the socket.
- Separate the connection.

### With safety lock clip engaged:

- Push the unlocking pins of the open-end spanner MC4 into the PV-SSH4.
- Separate the connection.

备注/Notes:

**备注/Notes:**

备注/Notes:

---

制造商/Manufacturer:  
Stäubli Electrical Connectors AG  
Stockbrunnenrain 8  
4123 Allschwil/Switzerland  
Tel. +41 61 306 55 55  
Fax +41 61 306 55 56  
mail [ec.ch@staubli.com](mailto:ec.ch@staubli.com)  
[www.staubli.com/electrical](http://www.staubli.com/electrical)